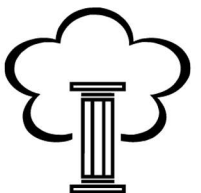


Noa Freestanding Bath Tap



PRODUCT INFORMATION

□

FEATURES AND BENEFITS

- Manufactured entirely in Italy
- Highest quality stainless steel
- WRAS approved products
- Contemporary Italian Designer Taps
- Ceramic disc valve Italian cartridge
- All products in stock for quick delivery
- Lead free products

FAQ's

Q. what water pressure do I need

A. 2 Bar

Q. How do I operate this product?

A. This product has a progressive cartridge the lever needs to be turned up and right to go to the bath. It will start of cold and progressively get hotter. To turn it to the shower bring the lever back to he off position which is the middle 6pm, turn the lever to the left and the water will come out of the shower handle, it will start of cold again and progressively get hotter.

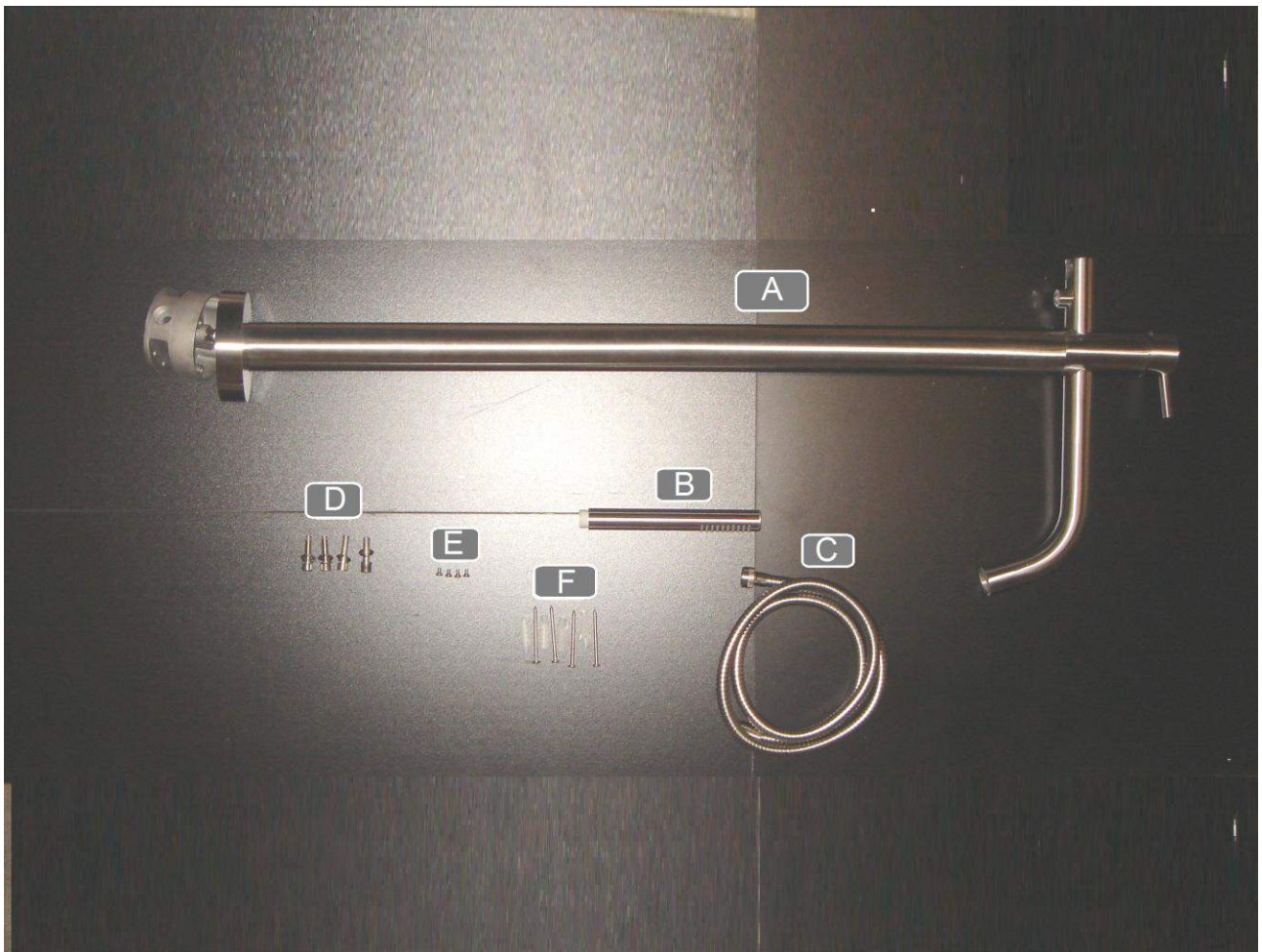
Q. How do I install the product?

A. The product comes with a base unit which has 4 holes to go into the floor. They need to be secured to the floor with water connections connected. The product will then stand upright and into position

PRODUCT INFORMATION

□

PACK CONTENTS

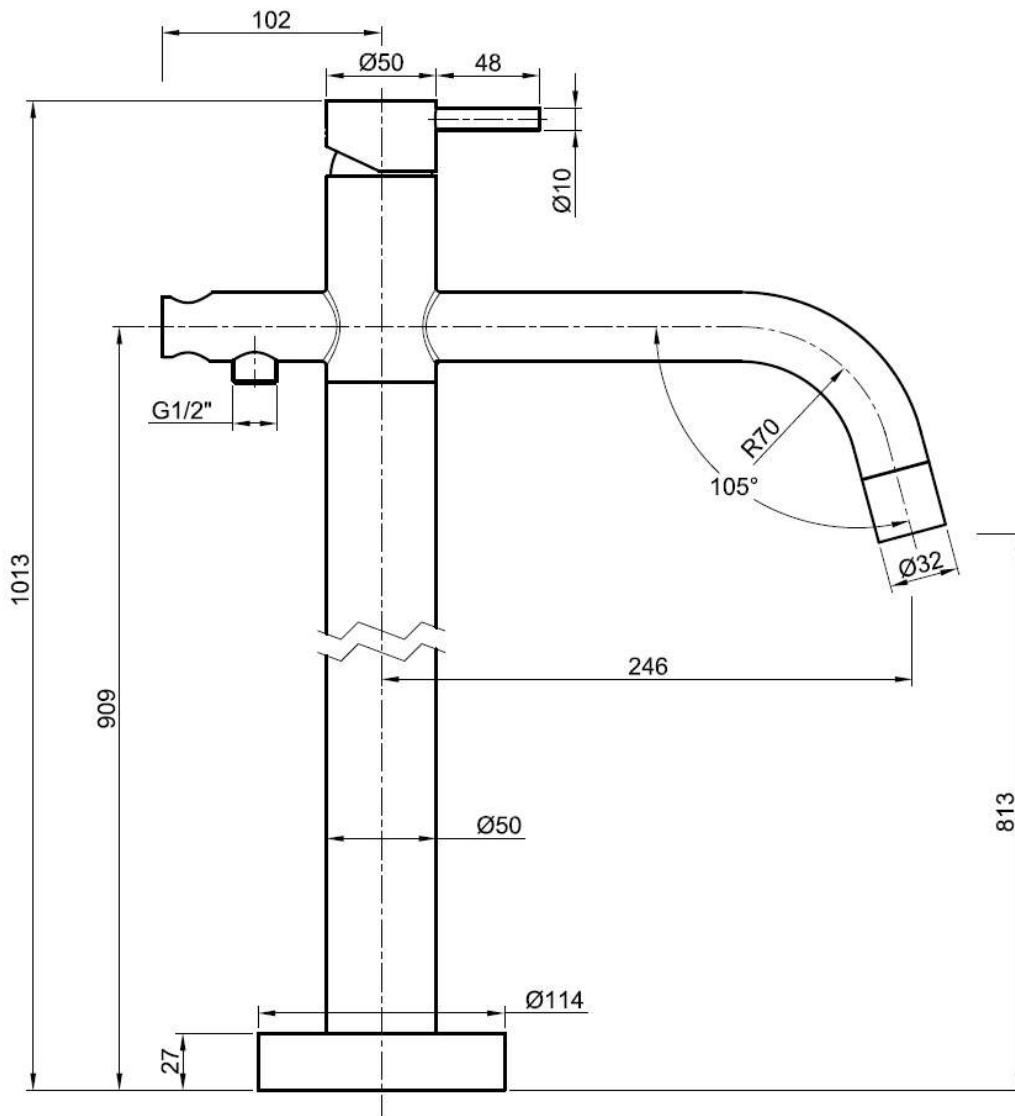


Item	Description	Quantity
A	Floor Standing bath filler	1
B	Hand shower	1
C	Shower Hose	1
D	Flexi Hoses	2
E	Fixing Nuts	4
F	Screws	4

PRODUCT INFORMATION

□

DIMENSIONAL DRAWING



General specification

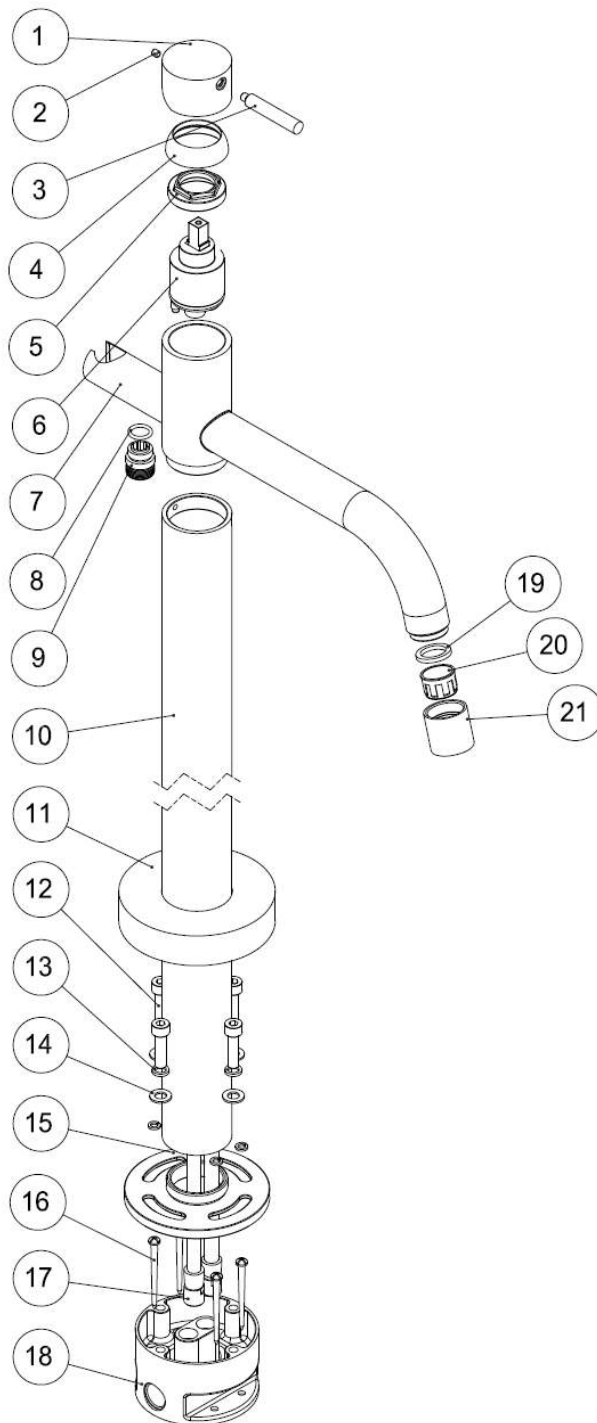
General dimensions and details

Height of the body	1013mm
Reach of the spout	246mm
Weight inclusive of box	8kg

PRODUCT INFORMATION

□

EXPLODED PARTS LIST – Drawing



PRODUCT INFORMATION

□

EXPLODED PARTS LIST – Table

Item	Description	Quantity	PART No.
1	Handle Head	1	
2	Grub Screw	1	
3	Handle Lever	1	
4	Stainless Steel Shroud	1	
5	Stainless Steel Retaining Nut	1	
6	Cartridge	1	
7	Shower holder bracket	1	
8	Washer	1	
9	Connector	1	
10	Stainless steel base pipe	1	
11	Base Flange	1	
12	Fixing Nuts	4	
13	Washers	4	
14	Washers	4	
15	Stainless steel fixing base plate	1	
16	Screws	4	
17	Flexi Inlet Pipes	2	
18	Under floor fixing part	1	

PRODUCT INFORMATION

□

INSTALLATION GUIDELINES

1. Installation should be carried out by a competent engineer, in accordance with water regulations.
2. Before installation, ensure supply pipes are flushed clean. Debris or loose particles will affect the efficiency of the ceramic disc cartridge.
3. For mixer taps, it is recommended that hot & cold pressures are equally balanced
4. Ceramic cartridge in hard water areas. To prolong the lifespan and reduce servicing periods of yours we recommend that a suitable water softener be fitted. Consult your installer/designer for details.
5. Failure to push through pipe work before installation of taps may cause serious damage to the ceramic disc cartridge, for which supplier will not be liable.

PRODUCT INFORMATION

□

CLEANING AND CARE INSTRUCTIONS

To maintain the appearance of this product, ensure that it is regularly cleaned only using a clean, soft damp cloth. A solution of warm water and a mild liquid detergent may be used where necessary, and then the fitting rinsed thoroughly and wiped dry. Any other cleaning action will invalidate your warranty.

If the mixertap has a diffuser it should be unscrewed and cleaned periodically in warm water.

Abrasive cleaners, scouring cleaners and acidic cleaners **must not be used** under any circumstances. Avoid contact with all solvents (including chlorinated solvents, ketones or acetones as these may result in surface deterioration or etching). Also avoid contact with any harsh household chemicals such as oven cleaners, drain cleaners, rust removers, paint strippers and toilet bowl cleaners, bar keepers friend or Brasso.

HOW TO USE THIS PRODUCT

This product has a progressive cartridge the lever needs to be turned up and right to go to the bath. It will start of cold and progressively get hotter. To turn it to the shower bring the lever back to he off position which is the middle 6pm, turn the lever to the left and the water will come out of the shower handle, it will start of cold again and progressively get hotter.